

AW 710DV sileo Axial fan

Axial wall fan

Item number: [34140](#)

Variant: 400V 3~ 50Hz

- speed controllable by voltage reduction, plus option of 2-step operation by D/Y switching for 400V versions
- inlet protection guard up to size 630 (from size 710-1000 available as an accessory)
- safe and maintenance free operation
- can be installed in any mounting position
- electric connection via terminal box mounted on the motor
- single phase fans are supplied with capacitor

Axial fans of the AW sileo range do have a bionic shape of the fan blade, and are driven by external rotor motors. The AW range is equipped with a square wall plate, galvanized steel and powder coated in black (RAL9005). Sizes 200-630 include are protection guard on the intake side. Protection guards for the sizes 710-1000 are available as an accessory. The axial impeller is manufactured from pressure die cast aluminum and also painted in black (RAL9005). The impeller is balanced dynamically in two levels in accordance with DIN ISO 1940 part 1, quality G6.3.

The motors are equipped with thermal contacts for motor protection, with leads to be connected to a motor protection unit.



Technical parameters

| Nominal data | | |
|---|---------------|-------------------|
| Voltage (nominal) | 400 | V |
| Frequency | 50 | Hz |
| Phase(s) | 3~ | |
| Motor circuit connection | D; Y | |
| Input power | 2,600 | W |
| Input current | 4.8 | A |
| Impeller speed | 1,330 | r.p.m. |
| Air flow | max ; 22,576; | m ³ /h |
| Air flow at max. efficiency | 13,327 | m ³ /h |
| Specific ratio | 1,000000 | |
| Temperature of transported air | max 60 | °C |
| Max temperature of transported air, when speed controlled | 60 | °C |
| Sound data | | |
| Sound pressure level at 1m | 76 | dB(A) |

Protection/Classification

| | |
|------------------------|------|
| Enclosure class, motor | IP54 |
| Insulation class | F |

Data according to ErP

| | |
|---------------------------------|-------------------------------|
| ErP ready | ErP 2018 |
| Measurement category | A |
| Efficiency grade | 41.7 η_{actual} |
| Efficiency, static | 37.9 η_{statA} |
| Target efficiency grade ErP2013 | 36 $\eta_{\text{target2013}}$ |
| Target efficiency grade ErP2015 | 40 $\eta_{\text{target2015}}$ |

Dimensions and weights

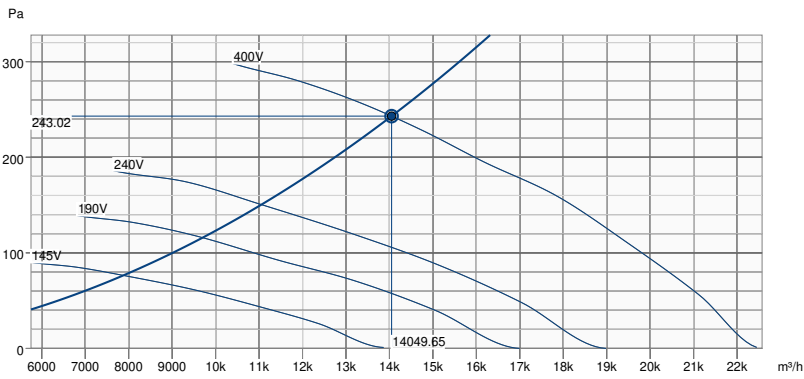
| | |
|--------|-------|
| Weight | 35 kg |
|--------|-------|

Others

| | |
|--------------------|-------|
| Color name, casing | Black |
| Motor type | AC |

Performance

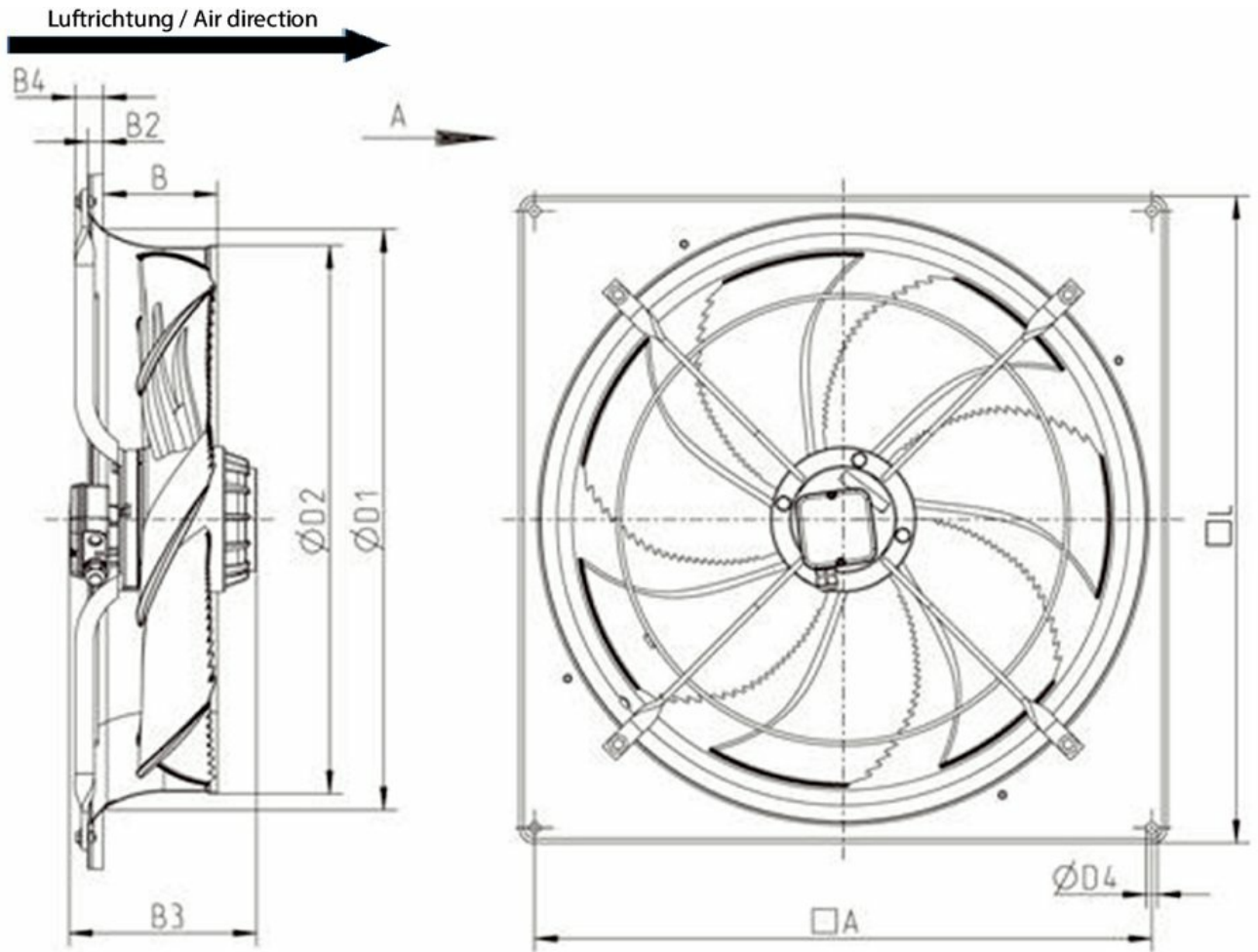
Performance curve



| Hydraulic data | |
|--------------------------|---------------|
| Required air flow | 14049 m³/h |
| Required static pressure | 243 Pa |
| Working air flow | 14050 m³/h |
| Working static pressure | 243 Pa |
| Air density | 1.204 kg/m³ |
| Power | 2552.6 W |
| Fan control - RPM | 1341 rpm |
| Current | 4.76 A |
| SFP | 0.654 kW/m³/s |
| Control voltage | 400.0 V |
| Supply voltage | 400 V |

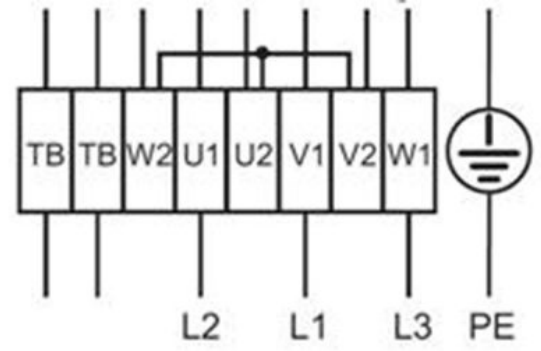
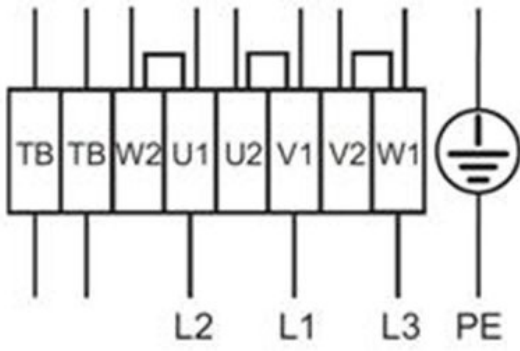
| Sound power level | | 63 | 125 | 250 | 500 | 1k | 2k | 4k | 8k | Total |
|-------------------|-------|----|-----|-----|-----|----|----|----|----|-------|
| Inlet | dB(A) | 51 | 64 | 67 | 72 | 77 | 77 | 73 | 66 | 82 |
| Outlet | dB(A) | 52 | 64 | 69 | 73 | 76 | 75 | 72 | 66 | 81 |

Dimension



| | □A | B | B2 | B3 | B4 | ∅D1 | ∅D2 | ∅D4 | □L |
|----------|-----|-----|----|-----|----|-----|-----|------|-----|
| AW 710DV | 810 | 228 | 20 | 298 | 37 | 763 | 720 | 14.5 | 850 |

Wiring



High speed

Low Speed

Δ-Connection

Y-Connection

Ecodesign

| Ecodesign 327 | |
|-----------------------------|--|
| Manufacturer | Systemair GmbH, Seehöfer Str. 45, DE-97944 Boxberg, Amtsgericht (court of registration) Mannheim, HRB 560437 |
| Type | AW 710DV |
| Year of manufacture | See name plate of the fan |
| Air flow qv | 13,327 m ³ /h |
| Efficiency category | static |
| Efficiency grade N | 41.7 |
| Efficiency grade target N | 40 |
| Speed (rpm) n | 1,339 r.p.m. |
| Pressure increase total psf | 257 Pa |
| Power consumption Ped | 2,570 W |
| Overall efficiency | 37.9 % |
| Variable speed drive | No |
| Additional components | Components used to calculate the energy efficiency that are not apparent from the measurement category are detailed in the CE declaration. |
| Maintenance | Information on installation, operation and maintenance is provided in the operating instructions. |
| Recycling / disposal | Information on recycling and disposal is provided in the operating instructions. |

Accessories

- RTRD 7 speed control Systemair (5943)
- S-DT 16 Motor Protection (161206)
- S-DT2SKT Two speed switch Y/D (2697)
- SG AW 710 Guard grill (GFC) (94700)
- RTRDU 7 Speed contr. Systemair (5947)
- S-DT 16E Motor Protection (161207)
- SG AW-D BGr 071, RAL 9005 (30606)

Documents

- L-BAL-001-SYSTEMAIR.PDF
- EU-Declaration_of_conformity_en_005